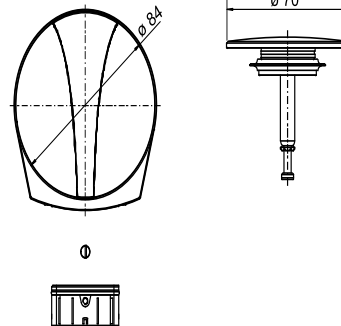
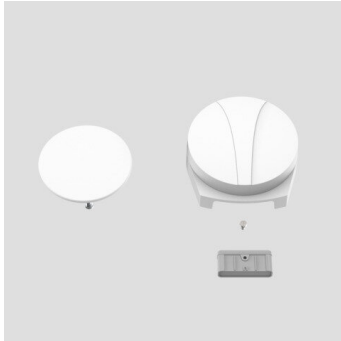


05.036.07..0000

SANIT Operating unit for waste + overflow assembly SWING PLUS, white matt



Item number

05.036.07..0000

Product description

Operating unit for SWING PLUS functional unit consisting of operating unit (with returnable rotary knob) and valve plug matt white, with rectangular aerator flow rate class C, packed in a box