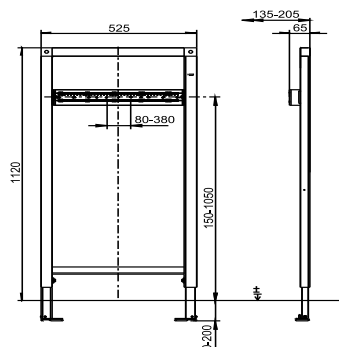


90.681.00..T000

SANIT Bath+shower tray el INEO exposed mix 1120



Item number

90.681.00..T000

Product description

Bath and shower tray element INEO
for exposed wall mixers

h/w/d: 1,120/525/75 mm, self-supporting, powder-coated steel frame, for covering with plasterboard, installation onto a solid wall, in drywall constructions etc., 4-point fastening, fully pre-assembled, includes self-locking feet with swivel base plates and fastening set, universally adjustable, consisting of waterproof multiply laminated plywood panel with galvanised side plates, for attachment of wall plates on site, adjustment range of feet from unfinished floor level to upper edge of finished floor level: 0-200 mm, adjustment range front to wall: 135-205 mm (when mounted on wall brackets code no. 17.257.00..T000), pre-assembled traverse, packed in a box

Further bathtub elements are possible from combinations of empty elements of different heights with corresponding modules for surface-mounted and concealed fittings.

Accessories:

- wall brackets (pair) code no. 17.257.00..T000
- sound-absorbing sets
- extension sets