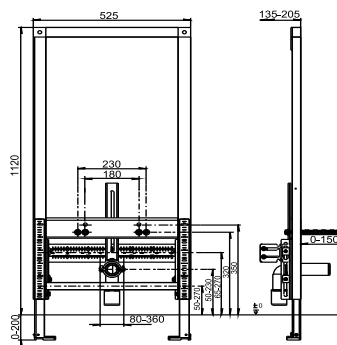


90.676.00..T000

SANIT Bidet element INEO 1120/525



Item number

90.676.00..T000

Product description

Bidet element INEO

h/w/d: 1,120/525/100 mm, self-supporting, powder-coated steel frame, for covering with plasterboard, installation onto a solid wall, in drywall constructions etc., 4-point fastening, fully pre-assembled, includes self-locking feet with swivel base plates and fastening set, suits all ceramic bidets, adjustment range of feet from unfinished floor level to upper edge of finished floor level: 0-200 mm, adjustment range front to wall: 135-205 mm (when mounted on wall brackets code no. 17.257.00..T000), without wall brackets, with multiply laminated plywood panel and scaling for the free positioning of drinking water pipe wall plates for various pipe systems by the customer, with 2 adjustable M12 bolts adjustable to 180/230 mm including nuts and white covers, with universal waste bend DN 50 (d:50)/DN 40 (d:40), including rubber collar DN 40(d:40)/DN 32 (d:32) and protection plugs, with sound-absorbing waste bend clamp, packed in a box Accessories:

- wall brackets (pair) code no. 17.257.00..T000
- sound-absorbing sets
- extension sets