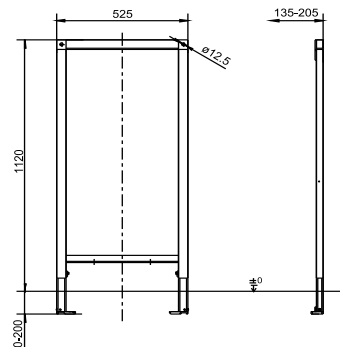
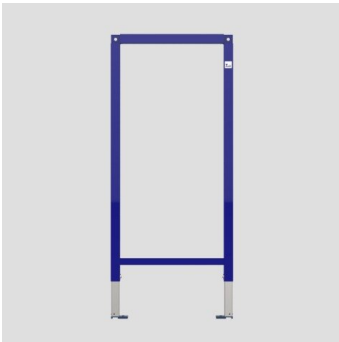


90.688.00..T000

## SANIT empty frame INEO



### Item number

90.688.00..T000

### Product description

Empty frame INEO

h/w/d: 1,120/525/48 mm, powder coated steel frame, for covering with plasterboard, installation onto solid wall, in drywall constructions etc., 4-point fastening, fully pre-assembled, incl. self-locking feet with swivel base plates and fastening set, base element for universal concealed modules etc., for bridging gaps of 550 to 1650 mm between elements, adjustment range of feet from unfinished floor level to upper edge of finished floor level: 0-200 mm, adjustment range front to wall: 135-205 mm (when mounted on wall brackets code no. 17.257.00..T000), packed in a box

Accessories:

- wall brackets (pair) code no. 17.257.00..T000
- sound-absorbing set code no. 16.032.00..0000
- extension sets
- modules for drywall systems