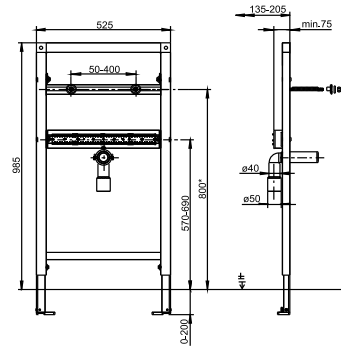


90.669.00..T000

SANIT Wash basin element INEO 1 hole mixer 985/525



Item number

90.669.00..T000

Product description

Washbasin element INEO for washbasins with single hole mixers
h/w/d: 985/525/75 mm self-supporting, powder-coated steel frame, for covering with plasterboard, installation onto a solid wall, in drywall constructions etc., 4-point fastening, fully pre-assembled, includes self-locking feet with swivel base plates and fastening set, suits all washbasins and small washbasins, adjustment range of feet from unfinished floor level to upper edge of finished floor level: 0-200 mm, adjustment range front to wall: 135-205 mm (when mounted on wall brackets code no. 17.257.00..T000), with multiply laminated plywood panel and scaling for free positioning of drinking water pipe wall plates, with 2 M10 bolts for fastening the washbasin including protection plugs and washbasin fastenings, with universal waste bend DN 50(d:50)/DN 40(d:40), including rubber collar for trap waste outlet DN 40(d:40)/DN 32(d:32), protection plugs and sound-absorbing clamp, packed in a box

Accessories:

- wall brackets (pair) code no. 17.257.00..T000
- sound-absorbing sets