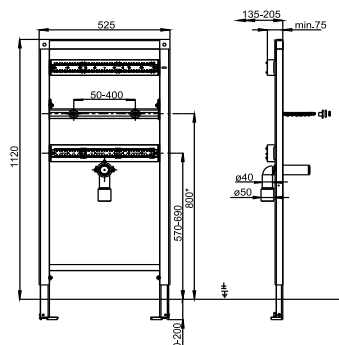


90.671.00..T000

SANIT Wash basin element INEO exposed wall mixer 1120/525



Item number

90.671.00..T000

Product description

Washbasin element INEO for exposed wall-mounted mixers h/w/d: 1,120/525/75 mm, element can be adjusted to a height of 1,220 mm by extending the feet, self-supporting, powder-coated steel frame, for covering with plasterboard, installation onto a solid wall, in drywall constructions etc., 4-point fastening, fully pre-assembled, includes self-locking feet with swivel base plates and fastening set, suits all washbasins and small washbasins, minimum centre-to-centre spacing for exposed wall-mounted mixers 53 mm, adjustment range of feet from unfinished floor level to upper edge of finished floor level: 0-200 mm, adjustment range front to wall: 135-205 mm (when mounted on wall brackets code no. 17.257.00..T000), with multiply laminated plywood panel and scaling for the free positioning of drinking water pipe wall plates, with 2 M10 bolts for fastening the washbasin including protection plugs and washbasin fastenings, with universal waste bend DN 50 (d:50)/DN 40 (d:40), including rubber collar DN 40 (d:40)/DN 32 (d:32), protection plugs and sound-absorbing clamp, with threaded bar M8 x 80 mm, packed in a box

Accessories:

- wall brackets (pair) code no. 17.257.00..T000
- sound-absorbing sets