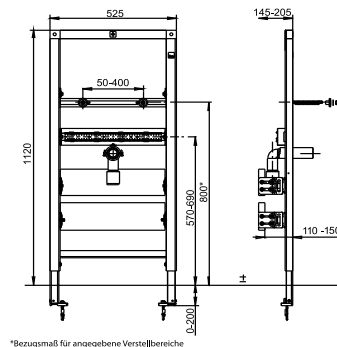


90.689.00..T000

SANIT Wash basin module INEO for flow heater



Item number

90.689.00..T000

Product description

Washbasin element INEO for single hole mixers for concealed installation of compression-proof small flow-type heaters suitable for CLAGE E-small flow-type heaters MCX for a single washing place*, h/w/d: 1,120/525/145 mm, self-supporting, powder-coated steel frame, for covering with plasterboard, installation onto a solid wall, in dry-wall construction etc., 4-point fastening, fully pre-assembled, includes self-locking feet with swivel base plates and fastening set, universal application with standard and small wash basins, adjustment range of feet from unfinished floor level to upper edge of finished floor level: 0-200 mm, adjustment range front to wall: 145-205 mm (when mounted on wall brackets code no. 17.257.00..T000), contains multiply glued laminated wood panel and scaling for the free positioning of drinking water connections, with 2 additional depth adjustable, multiply glued laminated wood panels with scaling for the free positioning of a small flow-type heater and more water connections, with 2 M10 bolts for fastening the wash basin, including protection plugs and washbasin fastenings, with universal waste bend DN 50 (d:50)/DN 40 (d:40), including rubber collar for trap waste outlet DN 40 (d:40)/DN 32 (d:32), protection plugs and sound-absorbing clamp, packed in a box * not included in the delivery For inspection purposes of concealed small continuous flow heaters we recommend an access opening (provided by the customer) with a minimum size of 300 x 300 mm. Accessories: - wall brackets (pair) code no. 17.257.00..T000 - sound-absorbing sets - SANIT module for concealed or exposed mixers code no. 17.268.00..0000