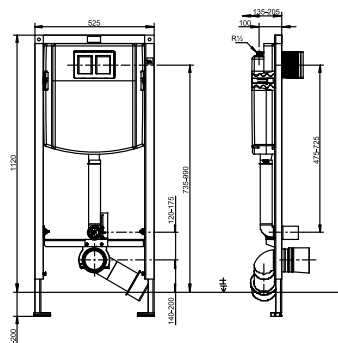
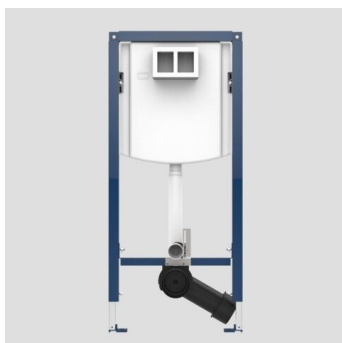


90.735.00..T000

SANIT element INEO PLUS floorstanding WC 1120



Item number	Product description
90.735.00..T000	<p>WC element INEO for floor standing toilet, floor standing toilet for children and toddlers, with small access opening, front operation, h/w/d: 1,120/525/130 mm, self-supporting, powder-coated steel frame, for covering with plasterboard, installation in front of massive wall and in light weight stud wall, 4-point fastening, fully pre-assembled, includes self-locking feet with swivel base plates and fastening set, adjustment range of feet from unfinished floor level to upper edge of finished floor level: 0-200 mm, adjustment range from front to wall: 135-205 mm (when mounted on wall brackets code no. 17.257.00..T000), with back-to-back installation distance between front edges 270-310 mm, flush bend height adjustable, WC waste bend height adjustable, push plate height adjustable by moving the concealed cistern to an appropriate height for children, SANIT concealed cistern (CC-121-S-FO-2V-2C) insulated against condensation water, with dual flush (7.5-4.5 l/4-2 l) and flexible cable technology, factory setting 6 and 3 litres, flush bend protection, SANIT fill valve, Noise Class I, two-piece angle valve connection set R 1/2, waste bend clamp, PE WC bend 90° DN 90 (d:90)/DN 100 (d:110) adjustable in 3 positions, with protection, tiling set for access opening can be shortened, tool-free connection of flexible hose to fill valve, with adjustable flush reducer, mounting instructions, without push plate, packed in a box</p> <p>Concealed cistern tested to DIN EN 14055, Noise Class I Accessories: - fastenings (wall brackets, feet, bottom wall bracket) - WC push plate for nursery school - sound-absorbing sets - WC connectors (double bend, offset connection bend, etc.) - Universal WC connection set for childrens floor-standing, white, DN 90 code no. 58.948.00..0099 - plasterboard cladding panel code no. 17.115.00..S000</p>