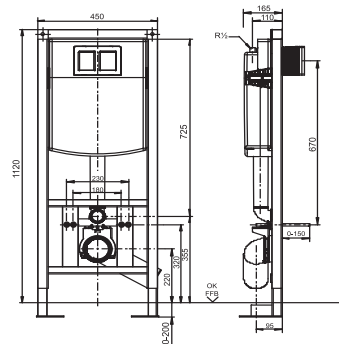


90.724.00..0000

SANIT WC element INEO PLUS free-stand 1120/450



Item number

90.724.00..0000

Product description

WC element INEO PLUS, free standing for wall hung WC with mounting distance 180/230 mm, with small access opening, front operated h/w/d: 1,120/450/165 mm, not compatible with the 996 system, without wall brackets, self-supporting, powder-coated steel frame, for covering with plasterboard, for free-standing installation, 2-point fastening, fully pre-assembled, includes heavy-duty support feet and fastening set, adjustment range of feet from unfinished floor level to upper edge of finished floor level: 0-200 mm, adjustment range front to wall: 165-215 mm, SANIT concealed cistern with insulation against condensation (CC-121-S-FO-2V-2C), with dual flush (7.5-4.5 l/4-2 l) and flexible cable technology, factory setting 6 and 3 litres, with protection cap for the flush pipe, SANIT fill valve Noise Class I, 2-part angle valve connection set R 1/2, 4-position adjustable mounting clip, WC connecting bend 90° DN 90(d:90)/DN 100(d:110) with protection cap, SANIT complete WC connection set DN 90(d:90)/180 mm, protection box for access opening can be cut to size, flexible hose to fill valve, can be screwed by hand, 2 M12 WC retaining bolts, installation instructions, without push plate, packed in a box

Concealed cistern tested to DIN EN 14055, Noise Class I , KIWA Accessories:

- WC flush actuators
- sound-absorbing sets
- WC connectors (double bend, offset connection bend, etc.)
- odour exhaust sets code no. 05.020.00..0000
- plasterboard cladding panel code no. 17.115.00..S000 - INEO FRESH box for water box cube code no. 05.158.00..0000 - adjustable flush reducer code no. 05.261.00..0000