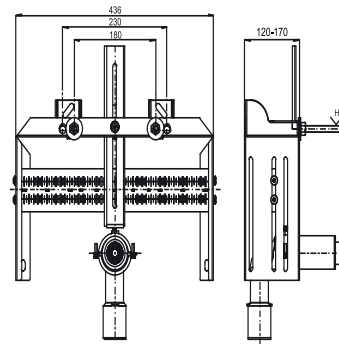


95.950.00..0000

SANIT concealed bidet module 980



Item number

95.950.00..0000

Product description

Concealed bidet module 980 for installation in/onto solid walls comprising a U-shaped galvanised support frame with 4 fastening lugs, depth of module adjustable 120–170 mm, M12 bidet fastening with caps, adjustable spacing of 180/230 mm, with multiply laminated plywood panel and scaling for mounting customers drinking water wall fittings for various pipe systems, mounting clip for PE drain bend DN 50(d:50) with rubber seal DN 50(d:50)/DN 40(d:40), including all fastenings, packed in a box