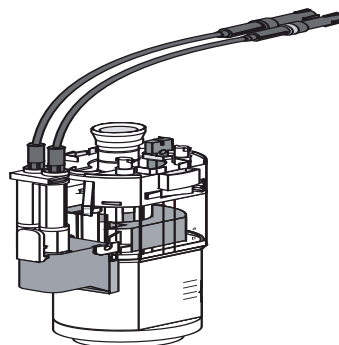


03.982.00..0000

SANIT Universal flush mechanism INEO



Item number

03.982.00..0000

Product description

Universal flush valve INEO for concealed cisterns with small access opening and 2 cable system CC-120, CC-150, CC-200, CC-121 and CC-122, packed in a box