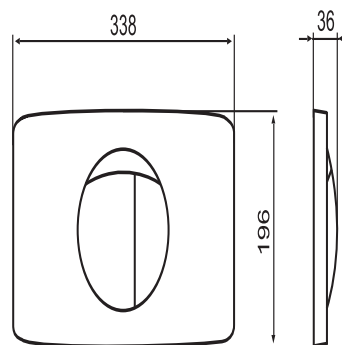


16.018.01..0000

## SANIT Operating plate L-2V white



### Item number

16.018.01..0000

### Product description

Push plate L for dual flush

l/w/h: 338/196/36 mm, plastic, for concealed cistern CC-120-L-FO-2V-L with big access opening, front-operated, dual flush, consisting of actuator frame, push buttons, support bracket and actuating bolts, individually boxed

Material/colour: plastic/alpine white

\* Discontinued model