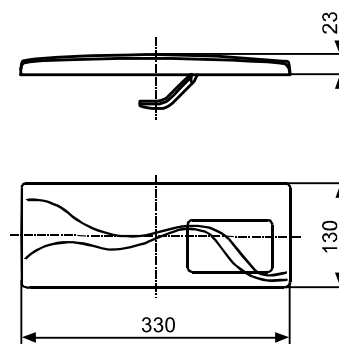
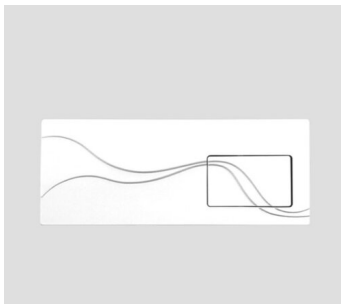


16.005.01..0000

SANIT Push plate top operated white



Item number

16.005.01..0000

Product description

Push plate top-operated

l/w/h: 330/130/23 mm, plastic, for concealed module 982, 995 and 988, start/stop flush, consisting of actuator frame, push button and support bracket, packed in a box

Material/colour: plastic/alpine white

* Discontinued model