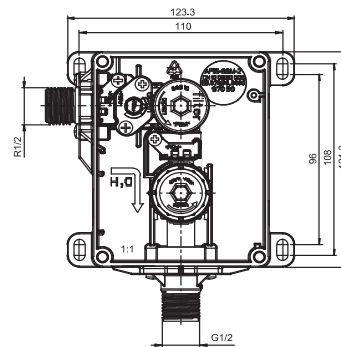


03.954.00..0000

## SANIT Urinal rough-in box with cartridge valve technology



### Item number

03.954.00..0000

### Product description

Urinal roughing-in box with urinal cartridge valve technology  
 universal cartridge roughing-in set with a compact design for solid walls for manual pneumatic cartridge valves or solenoid cartridge valves 6V DC for infrared electronics, relative conductivity, plastic roughing-in box w/h/d: 96x122x72 mm, with pre-assembled, modifiable water path, with stopcock, protection box for access opening can be cut to size, with fastenings, flow pressure 1-10 bar, Noise Class I, universal R 1/2 water connection, filter and valve cap with 8 mm hexagonal socket, packed in a box