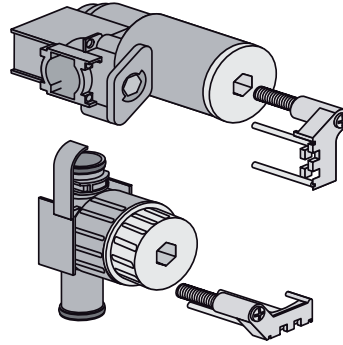


05.025.00..0000

## SANIT Water duct for urinal element INEO



Item number

05.025.00..0000

Product description