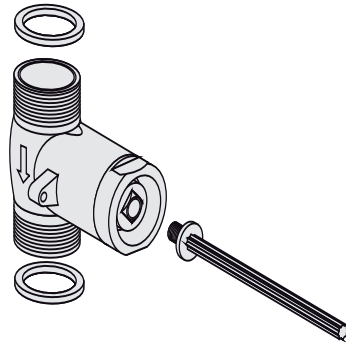


03.105.00..0000

SANIT Self-closing valve DN 15 with pressure pin



Item number

03.105.00..0000

Product description