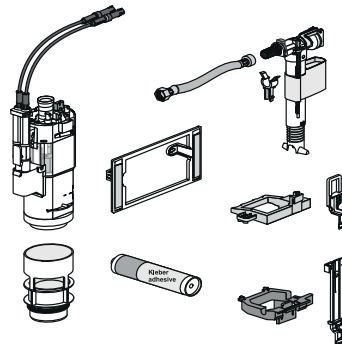


05.187.00..0000

SANIT Conversion set INEO UPDATE



Item number

05.187.00..0000

Product description

Conversion set INEO UPDATE

for the conversion of SANIT concealed cisterns with big access opening type CC-120-L-FO (year of manufacture 1994-2010) to small access opening, consisting of flush valve INEO, bottom sleeve, fill valve 510, fill valve support, down holder, stiffening bridge, flexible connection hose G 3/8, mounting glue and fixation frame to install SANIT push plates for small access opening (except LIS), packed in a box