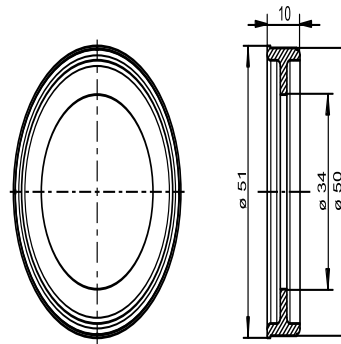


04.244.00..0000

SANIT Flow rate regulator



Item number

04.244.00..0000

Product description

Flow rate reducer

made of plastic, for later application in SANIT concealed cisterns, effective flow 2.1 l/sec., reduction of flow rate by ca. 0.3 l/sec., especially for rimless, wall hung WC-pans, to avoid over-splash, packed in a plastic bag