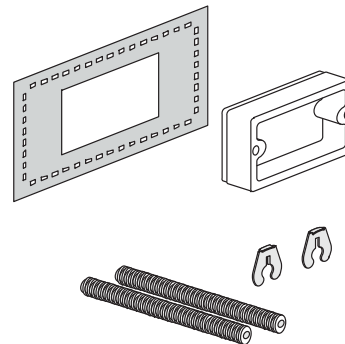
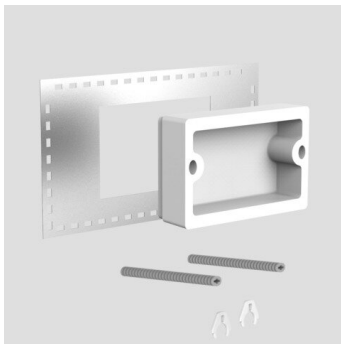


05.197.00..0000

SANIT Tiling Frame kit Ineo Update



Item number

05.197.00..0000

Product description

Tiling set for conversion kit INEO UPDATE
complement for renovation set INEO UPDATE as alternative solution for complete tiling, consisting of stainless steel tiling frame, tiling set and fixation bolts, packed in a box