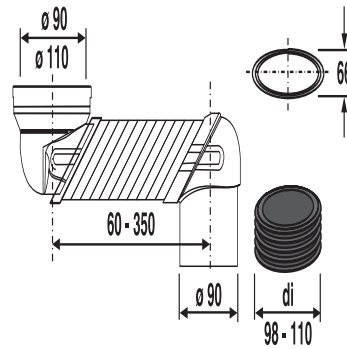


58.111.00..0000

## SANIT WC offset bend



### Item number

58.111.00..0000

### Product description

#### Offset WC bend

for offsetting the drain within the floor structure to behind the pre-wall, offset of minimum 60 mm to maximum 350 mm, markings on the pipe ensure that it is cut to length accurately, with lip seal suitable for DN 90 and DN 100 WC connections, drain connector suitable for DN 90 sleeves, with enclosed laminated seal for waste-water pipes with internal diameter from 98 to 110 mm, packed in a box

Note: minimum flushing capacity of 6 litres required!

tested to DIN 1389, DIN EN 997, 5.2.6, DIN EN 476, 5.5