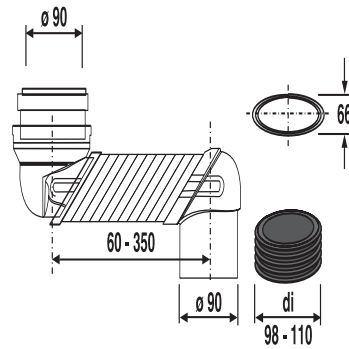


58.119.00..0000

## SANIT WC offset connection bend INEO SOLO DN 90



### Item number

58.119.00..0000

### Product description

WC offset connecting bend INEO SOLO DN 90 for wall-hung WCs with pre-assembled 90deg adapter for mounting on the drain pipe bend clip of the INEO SOLO wall-hung WC module for bridging heights of between 55-160 mm at the wall, can be cut to required length, can be glued, markings on pipe for accurate cutting  
 supplied with: offset connecting bend DN 90, DN 90/DN 100 PE adapter, laminated seal for waste pipes with an internal diameter of 98-110 mm, adhesive and protection plugs, packed in a box Note: minimum flushing capacity 6 litres