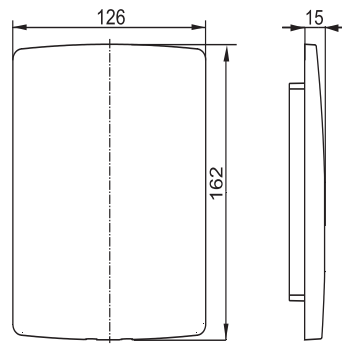
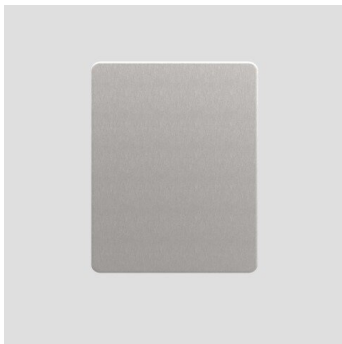


16.076.00..0000

SANIT Cover plate urinal roughing-in box stainless steel



Item number

16.076.00..0000

Product description

Cover plate for urinal roughing-in box

Material: brushed stainless steel

w/h: 126x162 mm, suitable for urinal roughing-in set and for power supply unit Code no. 01.254.00..0000, packed in a box