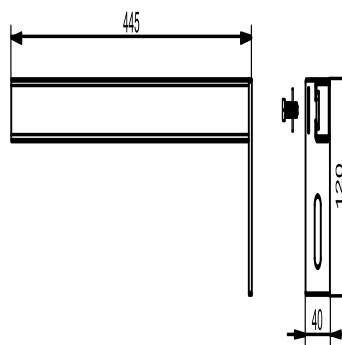


17.023.00..0000

SANIT Extended fixtures lat. fixation (pair)



Item number

17.023.00..0000

Product description

Extended fixtures, in pairs
for lateral fixation of SANIT concealed elements in recesses and wall openings, galvanised steel, packed in a box