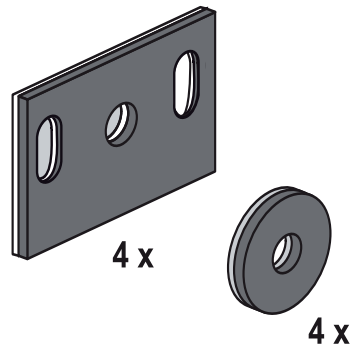
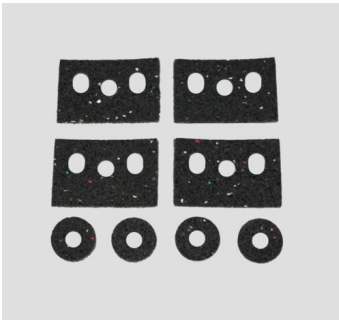


16.032.00..0000

SANIT Sound-absorbing set for INEO and 995N



Item number

16.032.00..0000

Product description

Sound-absorbing set for INEO, 995 N, 996 for use with requirements for increased sound insulation, for feet, wall brackets and structural connections etc., consisting of 4 elastomer pads and 4 elastomer washers, fitting instructions, packed in a plastic bag