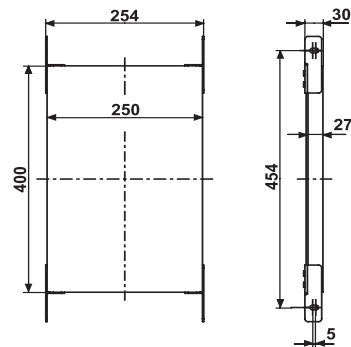


17.279.00..0000

SANIT Fixing module for handle + support system



Item number

17.279.00..0000

Product description

Fixing module for handle and support systems

h/h/d: 254/30/400 mm, universal for all handle and support systems for disabled people, bath handles etc., consisting of waterproof plywood board with steel side brackets (galvanised) and fastening set, packed in a box

Note: when using module connector code no. 03.333.00..0000 installation in SANIT drywall construction system 996 possible