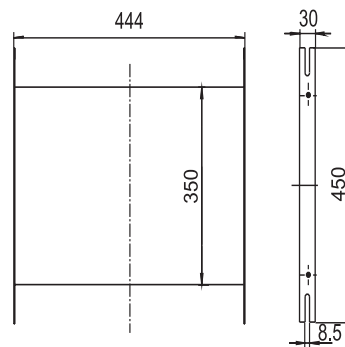


17.239.00..0000

SANIT Module for seat fixation



Item number

17.239.00..0000

Product description

Module for seat fixation

w/d/h: 444/30/350 mm, for installation in empty elements or directly in drywall constructions, consisting of a waterproof plywood board with steel side brackets (galvanised) and fastening set, packed in a box

Note: when using module connector code no. 03.333.00..0000 installation in SANIT drywall construction system 996 possible