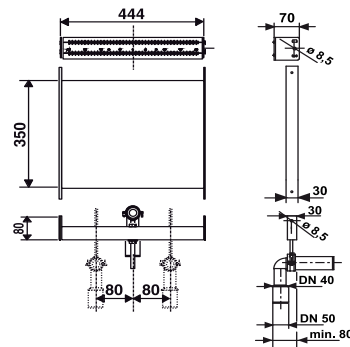
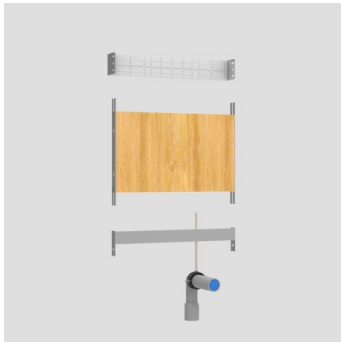


03.877.00..0000

## SANIT Module wash basin and sinks with exp.mixer



### Item number

03.877.00..0000

### Product description

Module for wash basin and sinks with exposed mixers

w/d: 444 x 70 mm, for the fixation to SANIT profile bars, consisting of water resistant, multiple glued plywood with lateral, galvanised metal plates, prepared for the installation of water connections on the building site, with outlet bend DN 40/50 incl. rubber sleeve DN 40/32, protection plug, with sound absorbing waste bend clip, 2 fixation clamps M10 and wash basin fixtures, incl. material for the fixation to a SANIT profile bar, packed in a box

Note: when using module connector code no. 03.333.00..0000 installation in SANIT drywall construction system 996 possible