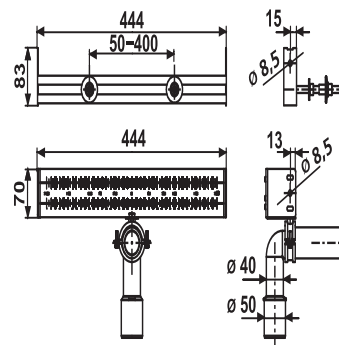


17.276.00..0000

SANIT Wash basin module for 1-hole and exposed wall mixers



Item number

17.276.00..0000

Product description

Washbasin module for single hole mixers and exposed wall-mounted mixers*

w/d: 444x70 mm, for installation in empty elements or directly in drywall constructions, universal application for washbasins and small washbasins, consisting of a waterproof plywood board with steel side brackets (galvanised), without connections for water supply, traverse for washbasin fixation in galvanised steel with 2 M10 bolts for fastening washbasin incl. thread protection washbasin fastenings, with waste bend DN 50/DN 40 incl. rubber collar DN 40/32, with sound-absorbing clip, including fastening set, packed in a box

* in the case of wall-mounted mixers with threaded rod M 8 x 300

Note: when using module connector code no. 03.333.00..0000 installation in SANIT drywall construction system 996 possible