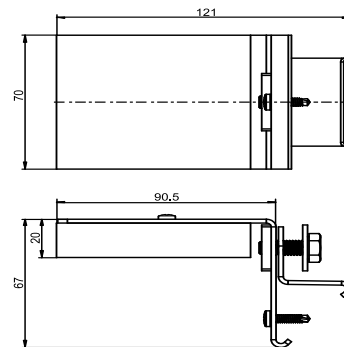


17.281.00..0000

SANIT Module 996 for water connection



Item number

17.281.00..0000

Product description

Module for water connection for SANIT drywall construction system 996, for screwed fixation of single water connections to the system, consisting of water resistant, multiple glued ply wood with galvanized support plate and material for the fixation to a SANIT profile bar, packed in a plastic bag