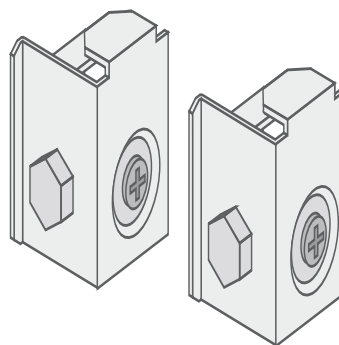


03.333.00..0000

SANIT Module connection for drywall system 996(x10)



Item number	Product description
03.333.00..0000	<p>Module connector for SANIT drywall construction system 996, for the parallel force-fit connection of rails and drywall modules and for the fixation of M8 threaded rod constructions, e.g. pipe clamps, pre-assembled unit made of galvanised steel, with 6 mm crosshead screw and pressure spring</p> <p>Packaging note: 10 pieces/bag (P1) 20 bags/box (P2)</p>