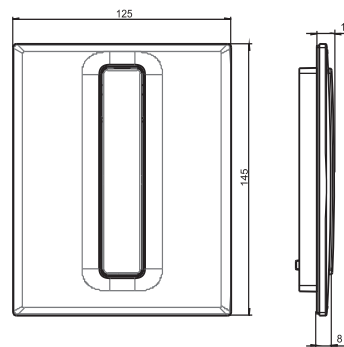
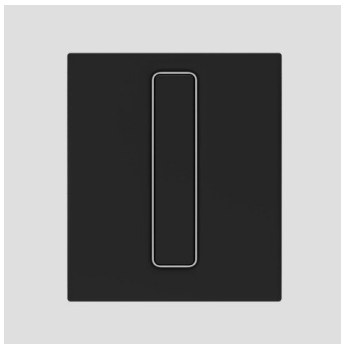


16.090.56..0000

## SANIT Urinal cover plate Ineo Bright mblack



### Item number

16.090.56..0000

### Product description

Urinal cover plate INEO BRIGHT  
for hand-operated urinal cartridge valve technology  
pneumatic concealed flush plate, independent of water pressure,  
finishing set l/w/h: 124x145x10 mm, consisting of actuator element incl. chromed decorative frame, cover plate, pressure pin and fastening, pneumatic urinal cartridge valve with male thread 29x2 mm, cartridge filter, maximum operating pressure 10 bar, flow pressure 1-6 bar, according to DIN EN 12541, Noise Class I <20 dB(A), infinitely adjustable, flushing time 4-20 sec, including fastenings, packed in a box

Material/colour: plastic / mattblack