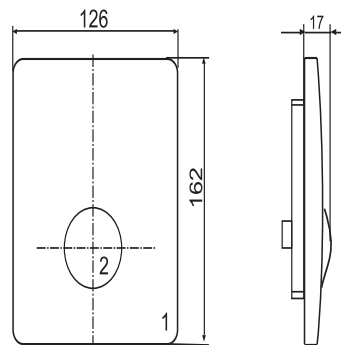


16.064.01..0000

SANIT Urinal cover plate plastic white



Item number

16.064.01..0000

Product description

Urinal cover plate, plastic, for hand-operated urinal cartridge valve technology
hand-operated, pneumatic concealed urinal flush plate, independent of water pressure, finishing set l/w/h: 126x162x17 mm consisting of cover plate with push button, pressure pin, support bracket, pneumatic urinal cartridge valve with male thread 29x2 mm, cartridge filter, maximum operating pressure 10 bar, min. flow pressure 0.5 bar, maximum flow pressure 10.0 bar, according to DIN EN 12541, Noise Class I < 20 dB(A), infinitely adjustable flushing time: 4-20 sec., with vandal-safe special fixing of the cover plate, including fastenings, packed in a box

Material/colour: plastic/alpine white