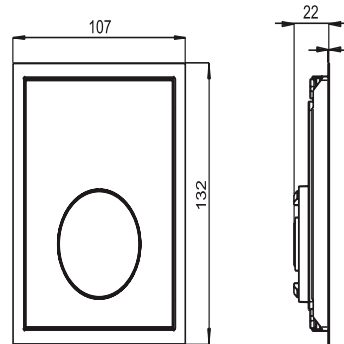
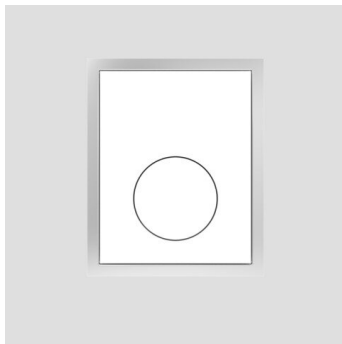


16.217.01..0000

SANIT Urinal cover plate plastic white



Item number

16.217.01..0000

Product description

Urinal cover plate, plastic, flush mounted for hand-operated urinal cartridge valve technology hand-operated, pneumatic, in-wall urinal flush plate independent of water pressure, finishing set l/w/h: 107x132x1 mm consisting of cover plate with push button, polished stainless steel frame, pressure pin, pneumatic urinal cartridge valve with male thread 29x2 mm, with cartridge filter, max. operating pressure 10 bar, min. flow pressure 0.5 bar, max. flow pressure 10.0 bar, flow rate in accordance with DIN EN 1241, Noise Class I <20 dB (A), flushing duration 4-20 sec, infinitely adjustable, packed in a box

Material/colour: plastic/alpine white

Accessories:

- urinal retrofit blind frame 10 mm, polished stainless steel code no. 04.068.00..0000