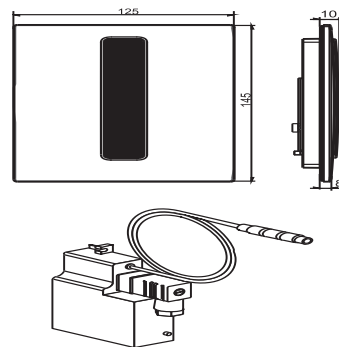
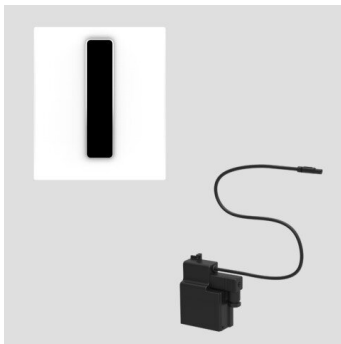


16.091.01..0000

SANIT Urinal cover plate Ineo Bright infrared white mains



Item number

16.091.01..0000

Product description

Urinal cover plate INEO BRIGHT infrared, mains supply for cartridge valve technology

Contact-free flushing system controlled by infrared sensor, hygienic pre-flush for approx. 0.5 seconds if more than 5 minutes have passed since the last use, can be used with universal cartridge roughing-in set, urinals with a lid should not be used in conjunction with infrared controlled urinal flush systems, with closing function with decreasing operation voltage, plug contacts are fail-safe, height/width/depth 145x125x10 mm, minimum distance to opposite wall: 0.9 m
Consisting of: 230V AC/6V DC power supply unit, cartridge filter power supply unit 6V DC, mounting frame with infrared module and control electronics, cover plate, including fastenings and mounting instruction, packed in a box
flow pressure: 0.5-8 bar

flow rate: 0.3 l/sec.

power supply: 6V DC

sensor range: approx. 0.5 m

dwelling time: approx. 5 sec.

main flush: approx. 4 sec.

hygiene period/hygienic flush: 24 h after last use

Basic parameters such as user recognition, colour, main flush time and dynamic flush can be adjusted manually. Further user-specific settings can be made via the maintenance and service remote control.

Material: plastic white Accessories: - service and maintenance remote control code no. 03.806.00..0000