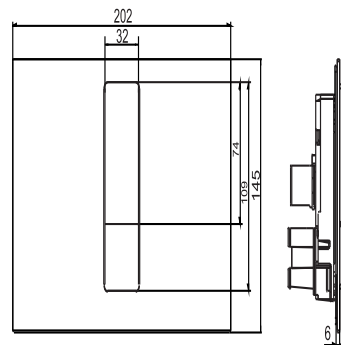


16.752.01..0000

SANIT Push plate Ineo Bright 2C glass white



Item number

16.752.01..0000

Product description

Push plate INEO BRIGHT l/w/h: 202/145/10 mm, for concealed cisterns with small access opening, dual flush, consisting of actuator element in brushed stainless steel look, cover plate and fixing bolts, packed in a box

material/colour: glass / white

Note: For the concealed cisterns CC-120-S, CC-150-S and CC-200-S, an INEO universal flush valve code no. 03.982.00..0000 is required prior to series stand 20.