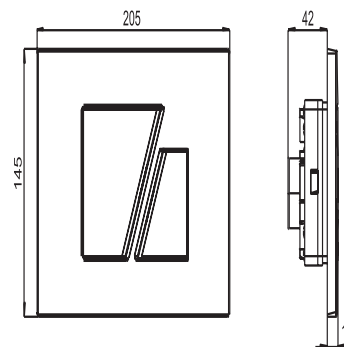
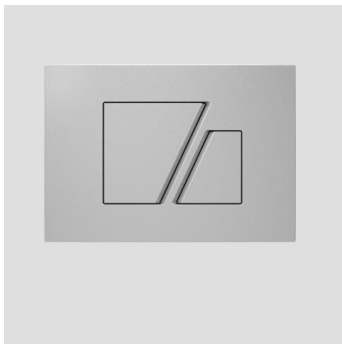


16.707.93..0000

## SANIT Push plate S707 matt chrome



### Item number

16.707.93..0000

### Product description

Push plate S 707

l/w/h: 205/145/11 mm, plastic, for concealed cisterns with small access opening, dual flush, consisting of actuator frame, push buttons, support bracket and fixing bolts, packed in a box

Material/colour: plastic/matt chrome