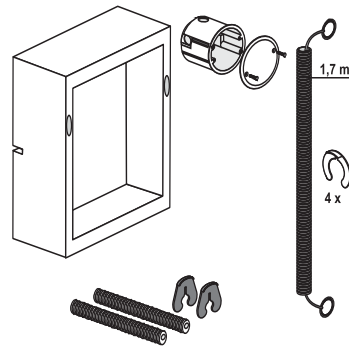


05.077.00..0000

SANIT Roughing-in set for push plate LIS



Item number

05.077.00..0000

Product description

Roughing-in set for push plate LIS

for concealed cistern with small access opening, consisting of protection for enlarged cut-out tile section, concealed socket for drywall installation, d(a): 72.5 mm, depth 73 mm, with plastic cover d: 84 mm, white and screws, with 1.7 m empty pipe including pull cord, packed in a box

suitable for the following SANIT concealed cisterns:

CC-121-S-FO-2V-2C from series-production status 0

CC-150-S-UO-2V-2C from series-production status 20

CC-150-S-FO-2V-2C from series-production status 20