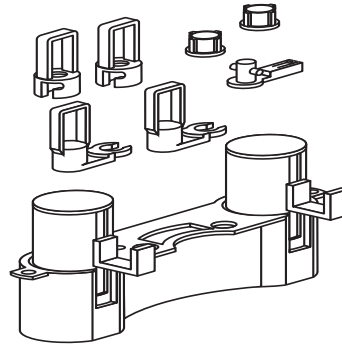


05.095.00..0000

SANIT Pneumatic lifting mechanism 1V/2V



Item number

05.095.00..0000

Product description

Pneumatic lifting mechanism, single/dual flush
plastic, pneumatic replacement part as a pre-assembled unit with two lifting mechanisms and trip rods, for use with
single and dual flush operations, packed in a plastic bag