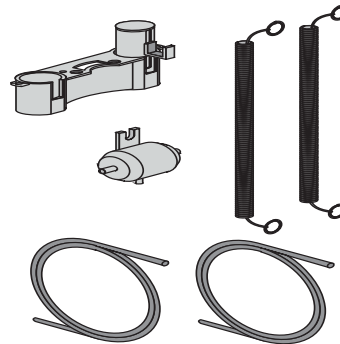


03.651.00..0000

## SANIT Pneumatic WC unit for own arm supports



### Item number

03.651.00..0000

### Product description

Pneumatic WC unit for arm supports provided by the customer for concealed cisterns with small access opening, CC-121-S-FO-2V-2C, CC-122-S-UO-2V-2C, CC-150-S-UO-2V-2C, CC-150-S-FO-2V-2C and CC-120-S-FO-2V-2C

For brick and drywall installation, in parallel to pneumatic WC actuation on arm supports (provided by customer) with single flush pneumatic push button, it is also possible to actuate flushing of the cistern via Series 700 buttons as dual flushing, start/stop or one-time flushing, with the exception of glass/electronic button 706, consisting of: single flush pneumatic lift device, 2 single flush pneumatic hoses - 2.35m, 2 empty pipe sets with 1.7 m pull cord, 2 connection nipples for air hoses ext. diam. 4 mm (provided by customer) on arm support, 1 pneumatic T-piece for connecting 2 pneumatic WC push buttons of the same flush volume, with self cutting screw 4.2 x 16, installation instructions and fastenings, packed in a box Note: only tested in combination with arm support rails from Herger company