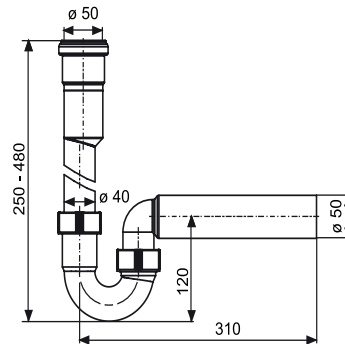


31.801.00..0000

## SANIT Trap DN50 for shower channel vertical



### Item number

31.801.00..0000

### Product description

Trap DN 50

for shower channel ES 50 with vertical waste outlet, plastic, with connection pipe DN 50 and waste outlet pipe d:50, packed in a plastic bag