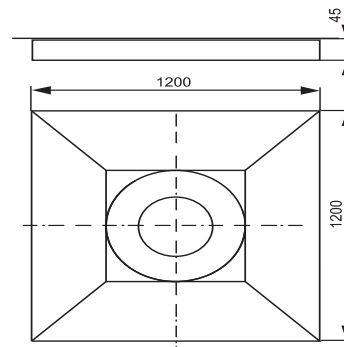
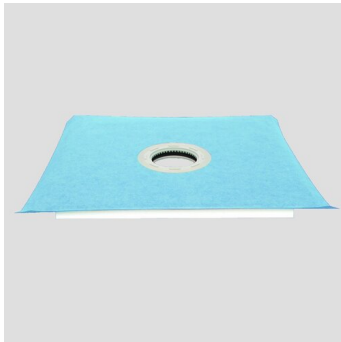


03.287.00..0000

## SANIT Shower board 1200x1200x45



Item number	Product description
03.287.00..0000	<p data-bbox="336 808 1473 920"><b>Shower board</b> square shower board for level-access showers, wheelchair accessible, serves as a base for tiles or similar floor covering, with integrated run-off slope of 2%, pre-mounted drain flange with internal sealing ring for SANIT shower waste, an overlapping, waterproof sealing film is glued to the surface, packed in a box</p> <p data-bbox="336 949 671 978">Material: EPS rigid foam 100 kg/m<sup>3</sup></p>