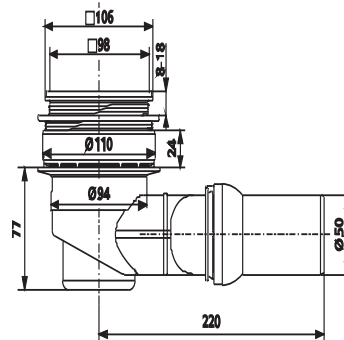


34.043.00..S000

SANIT Waste 823/BW screw grid for shower board



Item number

34.043.00..S000

Product description

Waste 823/BW for shower board, horizontal outlet, with screwed grid for use with shower board for level-access showers, installation depth 77 mm + height of shower board H, drainage flow rate 0.7 l/sec according to DIN EN 1253, with height-adjustable stainless steel grid that can be rotated through 360deg, with removable trap insert, horizontal outlet d:50, with protection, packed in a box
Material: PP plastic/stainless steel

tested too DIN EN 274 and 1253