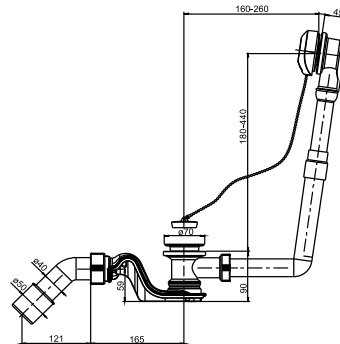


35.062.00..0000

SANIT waste + overflow assembly 833, install. height 90 mm



Item number

35.062.00..0000

Product description

Waste and overflow assembly 833 (installation height 90 mm) plastic, for bathtubs with flow optimized trap, with chrome-plated clamp rosette and magnetic plug, compact installation height (90 mm), with waste bend d: 40/50 mm, packed in a box

tested to DIN EN 274, monitored