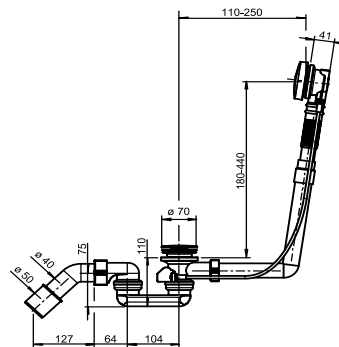


35.316.00..0000

SANIT waste + overflow assembly BASIC, install. height 110 mm



Item number

35.316.00..0000

Product description

Waste and overflow assembly BASIC (installation height 110 mm) plastic, cable 650 mm, with trap and waste bend d: 40/50 mm, chrome-plated operating unit with overspeed protection and valve plug, for bathtubs with rotary eccentric actuation, packed in a box tested to DIN EN 274, monitored