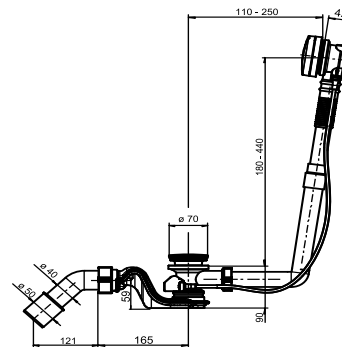
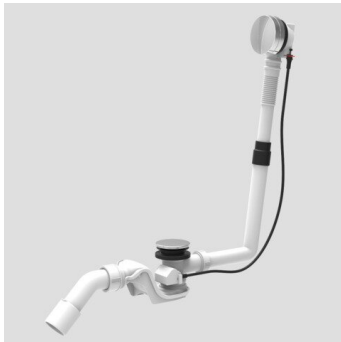


35.330.00..0000

SANIT waste + overflow assembly SWING with flow optimised trap



Item number

35.330.00..0000

Product description

Waste and overflow assembly SWING (installation height 90 mm) made of plastic, bowden cable 650 mm, flow-optimised trap, compact installation height (90 mm) and waste bend d: 40/50 mm, chrome-plated operating unit with returnable rotary knob, incl. 3 design elements in the colors alpine-white, matt chrome and black RAL 9005, plug and installation set, for cable-operated baths, packed in a box tested to DIN EN 274, monitored