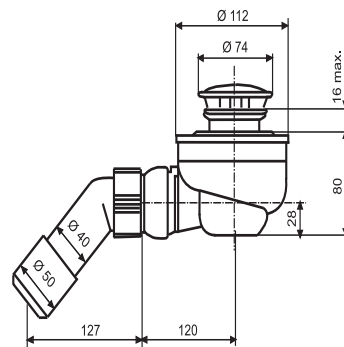


34.035.00..0000

SANIT Shower waste 821/50



Item number

34.035.00..0000

Product description

Shower waste 821/50, 74xDN 40/50

plastic, with chrome-plated cover, removable trap insert, flat gasket, waste outlet with adjustable ball-joint connector and waste bend d:40/50 mm, for shower trays with outlet hole d:52 mm, drainage flow rate 0.75 l/sec, packed in a box

tested to DIN EN 274