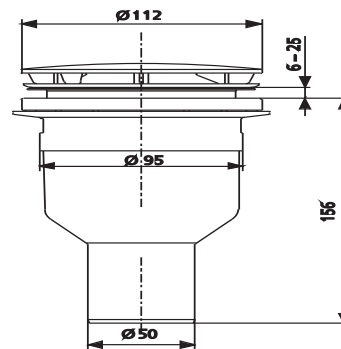


34.046.00..0000

SANIT Shower waste 823/90 S, vertical outlet



Item number

34.046.00..0000

Product description

Shower waste 823/90 S, vertical outlet

plastic, with chrome-plated cover with hair strainer, removable trap insert, flat gasket, waste outlet d:50 mm, for shower trays with an outlet hole d:90 mm, drainage flow rate 1.1 l/sec according to DIN EN 274, packed in a box

tested to DIN EN 274