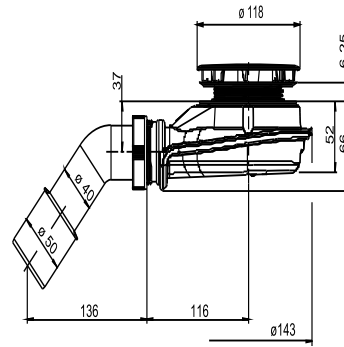


34.059.81..0000

SANIT shower waste Magnetech 90



Item number

34.059.81..0000

Product description

Shower drain Magnetech 90 plastic, drain set for shower tray with 90 mm diameter drain hole, high functional reliability by a novel mechanical odour trap, no more unpleasant smells due to drying up or emptying, gas-tight at negative and positive pressure, low installation height of only 66 mm, suitable for ultra-flat shower trays, easy to clean because of completely removable trap components, outlet pipe easily accessible, can be adjusted to shower tray wall thickness up to 26 mm, tool-free installation, high drainage capacity of 0.60 l/sec. incl. chrome-plated cover with dirt sieve and outlet angle 135deg 40/50, packed in a box tested to DIN EN 274