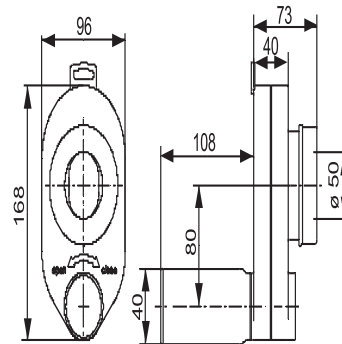


31.407.00..0000

SANIT Urinal exhaust trap DN50/40 horizontal



Item number

31.407.00..0000

Product description

Urinal exhaust trap DN 50/40 Plastic, for urinals with flush volumes of 2-4 l, with plug for easy cleaning, back waste outlet, packed in a plastic bag tested to DIN 19541