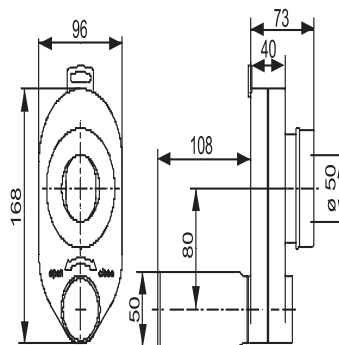


31.408.00..0000

## SANIT Urinal exhaust trap DN50/50 horizontal



### Item number

31.408.00..0000

### Product description

Urinal exhaust trap DN 50/50 Plastic, for urinals with flush volumes of 2-4 l, with plug for easy cleaning, back waste outlet, packed in a plastic bag tested to DIN 19541